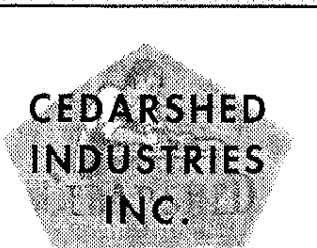
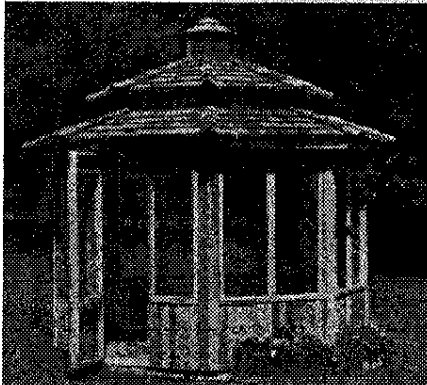
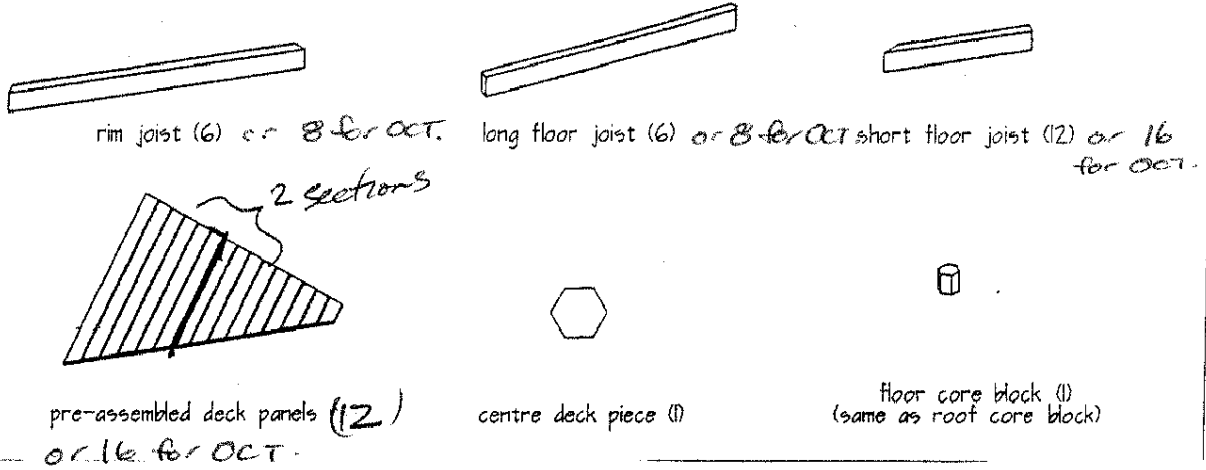


# ALL SEASON GAZEBO

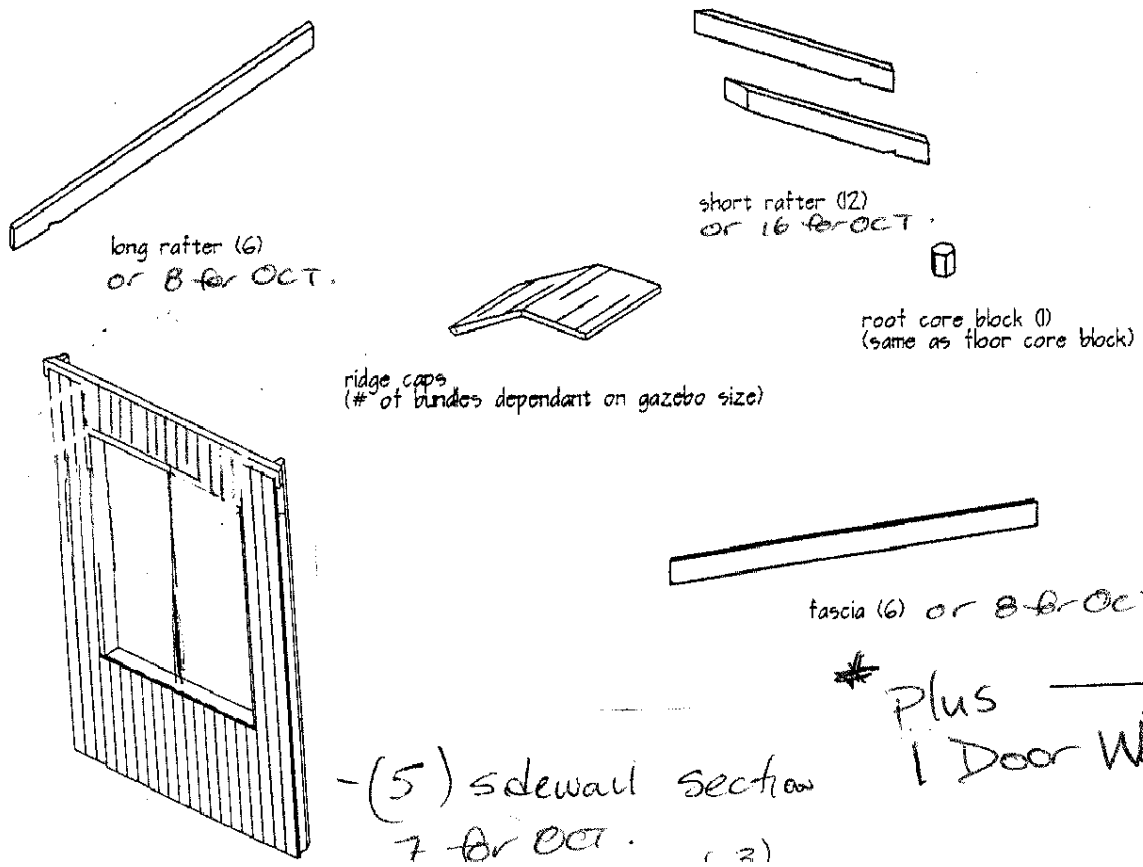
INSTRUCTIONAL MANUAL



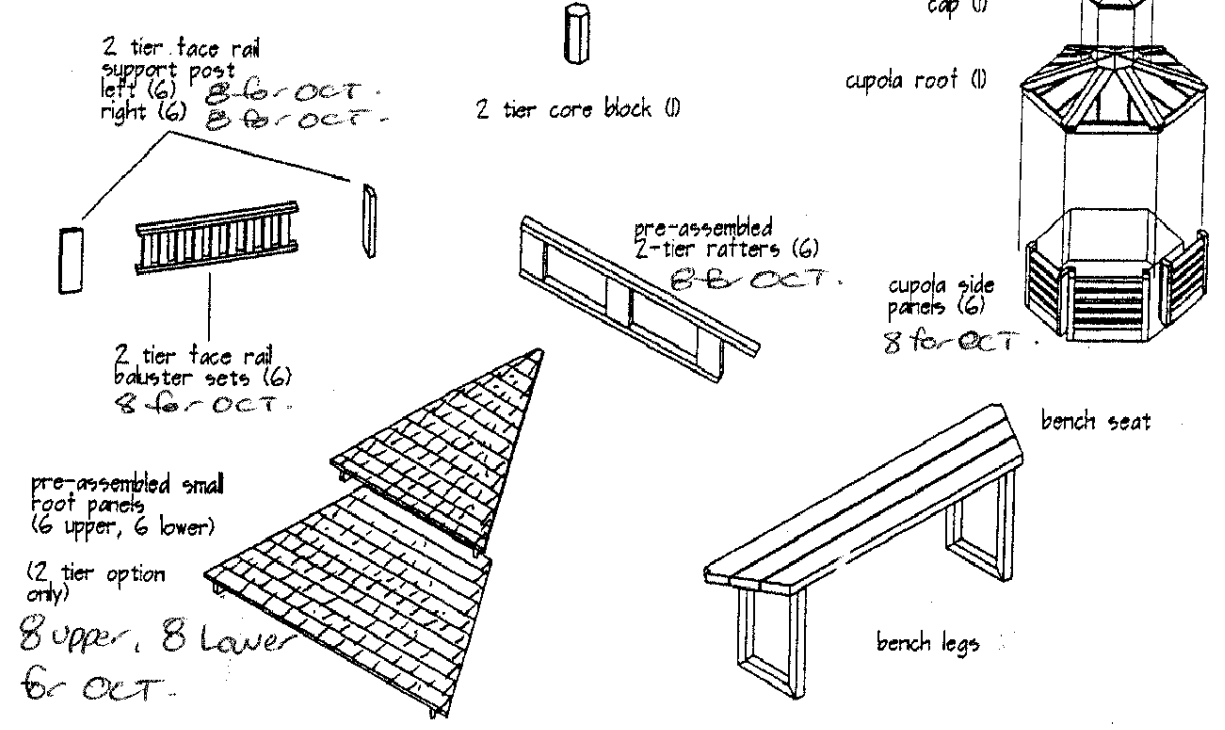
# PARTS LIST - Hexagon & Octagon FLOOR ASSEMBLY



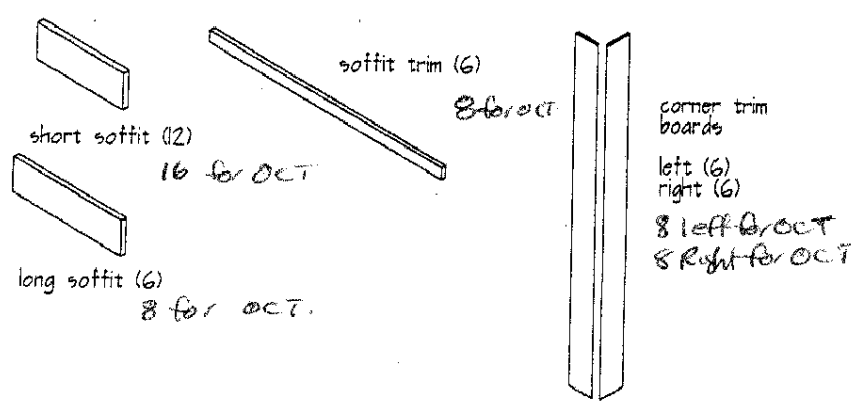
# PARTS LIST - Hexagon (quantity in brackets) ROOF ASSEMBLY



# Roof Section



## SOFFIT, TRIM,



## HARDWARE

- 3" screws
- 2" screws
- 2" box nail for ridge
- 1 3/4" Finishing nails

- Door handle hardware
- 2 door handles
  - locking mech.
  - connecting shaft
  - 5 screws

**HEXAGON GAZEBO**

## A FEW WORDS ABOUT THE CARE AND COSMETICS OF YOUR GAZEBO

Your Cedarshed Hexagon Gazebo is made of Western Red Cedar, a beautiful and durable outdoor wood that will enhance your leisure space, enhance your property, and provide years of enjoyable use.

Natural, unfinished Western Red Cedar, when exposed to the elements, will weather to a beautiful silvery gray. If you prefer to maintain the natural tones of Western Red Cedar, please ask your Authorized Cedarshed Dealer to recommend a quality stain.

Several items, such as Headers and Fascia Boards, vary in appearance. You may wish to place the "best" pieces where they'll be most visible at the front, near the doorway.

You may also notice occasional coloured chalk or crayon markings on parts of the wood. These markings can be removed with a damp cloth or a very fine sandpaper.

When we package your gazebo for shipping, it is wrapped in plastic, held in place by staples. Be sure that all of the staples are removed - a pair of pliers may be necessary.

**WARNING:**

**Assembly of the Gazebo will require the use of power tools and certain applications will require a ladder. Please take precautions at all times.**

**The customer agrees to hold Cedarshed and any of our Authorized Dealers free of liability due to improper installation, maintenance and repair of any Cedarshed products.**

**Obtaining necessary permits is the sole responsibility of the purchaser.**

## INTRODUCTION

Your Cedarshed Gazebo, made of natural Western Red Cedar, is easy to assemble if you follow these instructions. Before you start assembly, read through the instructions once, familiarize yourself with the gazebo parts, and obtain the necessary hardware and tools.

The main steps in the assembly sequence are:

- A SITE SELECTION
- B FLOOR ASSEMBLY
- C WALL ASSEMBLY
- D ROOF ASSEMBLY
- E. SOFFIT TRIM

If you have chosen any optional accessories, such as a Cupola, Two Tier Roof, or Screen Package, this instruction manual will indicate when and how they are installed. If you decide to add these accessories now or in the future, you may purchase them from your Authorized Cedarshed Dealer.

The assembly of your gazebo requires two people. The total time for assembly is approximately 32 - 40 person hours. A third person is sometimes helpful.

If after reading these instructions you decide that assembly is beyond your capabilities, contact your Authorized Cedarshed Dealer for a recommendation regarding an assembly contractor.

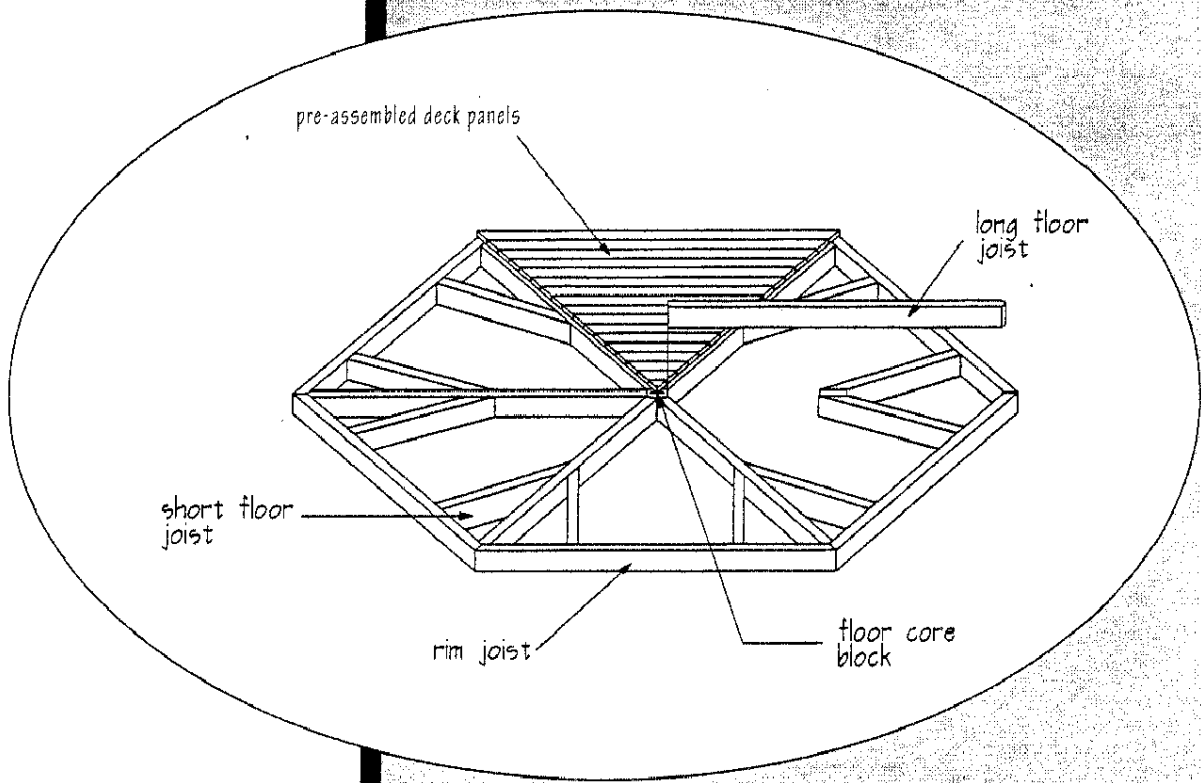
\* INSTRUCTIONS SHOW ILLUSTRATIONS  
FOR HEXAGON ONLY.  
FOR OCTAGON - SAME METHOD ONLY  
EXTRA SECTIONS.

## B. FLOOR ASSEMBLY

FLOOR ASSEMBLY can be divided into two stages. First, the Joists are assembled to form the FLOOR structure and second, the pre-assembled DECK panels are placed on the FLOOR Joists.

Note that the 6 Rim Joists and the 6 Headers (used in ROOF ASSEMBLY) are the same size. The 6 Headers are marked on one end with a red crayon.

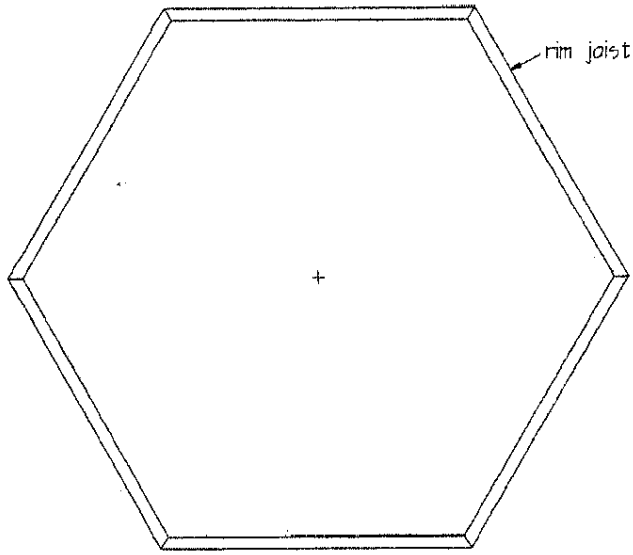
+ 8 for octagon



**PANELIZED HEXAGON GAZEBO**

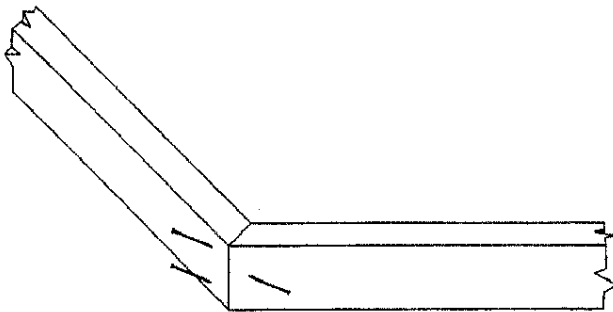
# FLOOR JOIST ASSEMBLY

1. Place the 6 Rim Joists in an hexagon shape. See **Figure B1**.



**Figure B1**

2. Using three 3" screws, fasten the Rim Joists at each joint. Fastening two screws left to right and one right to left at each joint will strengthen the gazebo base. See **Figure B2**.



**Figure B2**

3. Put the 6 Long FLOOR Joists into place, like spokes in a wagon wheel. The beveled or pointed end of the Long FLOOR Joists fits into the angle formed by the Rim Joists. See **Figure B3**.

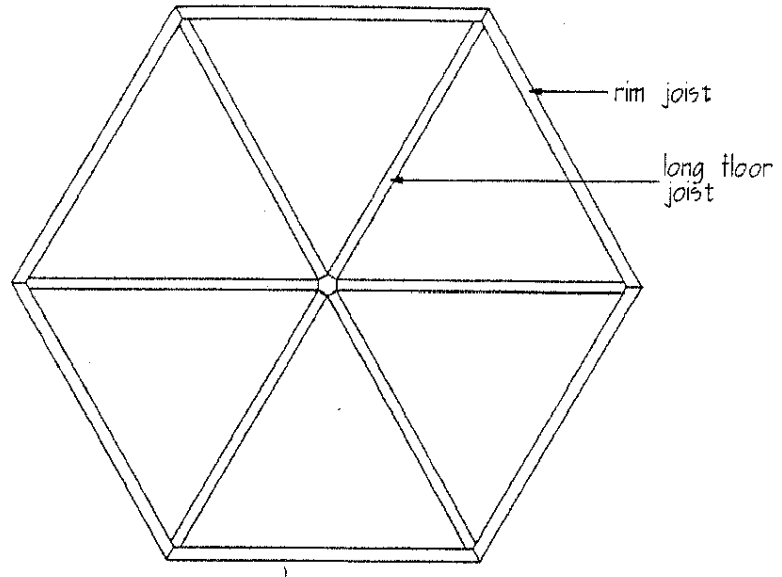


Figure B3

4. Put the 4" FLOOR Core at the centre. Toenail the Floor Joist into the Core Block. See **Figure B4**. We recommend pre-drilling the 2 x 4 FLOOR Joist where it butts up against the Core Block to avoid splitting.

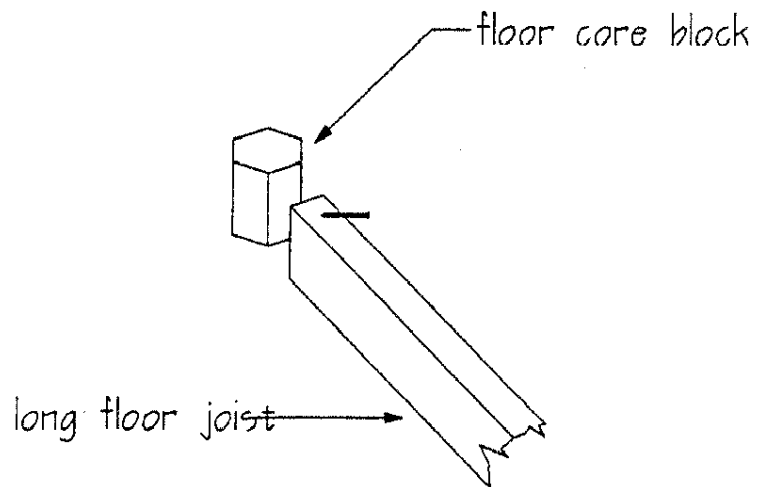
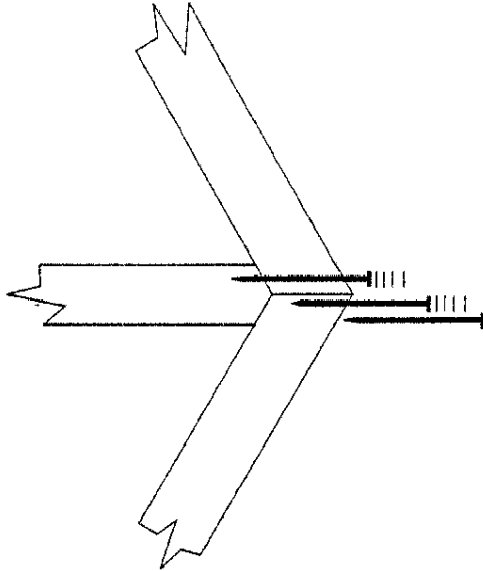


Figure B4

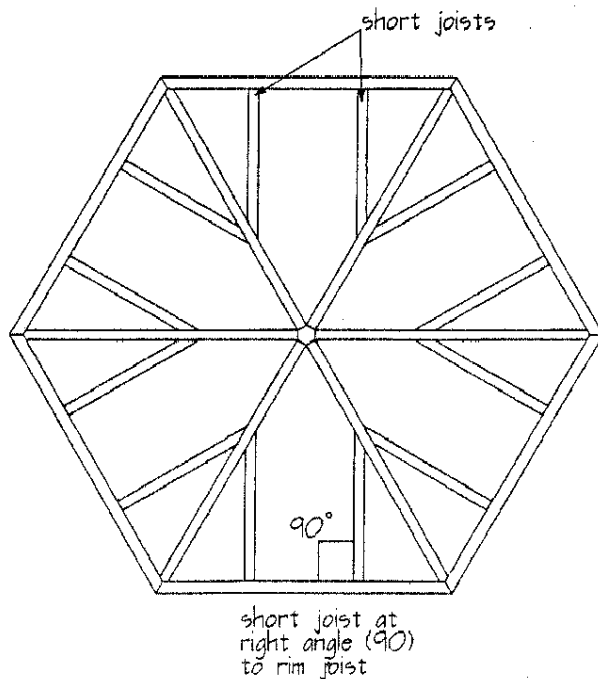
**PANELIZED HEXAGON GAZEBO**

5. Using two 3" screws at each joint, fasten the 6 Long FLOOR Joists to the Rim Joists. See **Figure B5**.



**Figure B5**

6. Put the 12 Short FLOOR Joists into place. See **Figure B6**. Each Short Floor Joist should be at right angles to the adjoining Rim Joist.



**Figure B6**

**EXPERT ADVICE:** Be sure the tops of the Long Floor Joists are FLUSH with the top of the Floor Core Block. If the Floor Core Block is too high, the Center Deck Piece will not fit properly.

7. Using two 3" screws, fasten the beveled or pointed end of each Short FLOOR Joist to the adjoining Long FLOOR Joist. After the Short FLOOR Joists are attached to the Long FLOOR Joists, using two 3" screws, fasten the Short FLOOR Joists to the Rim Joists. See Figure B7.

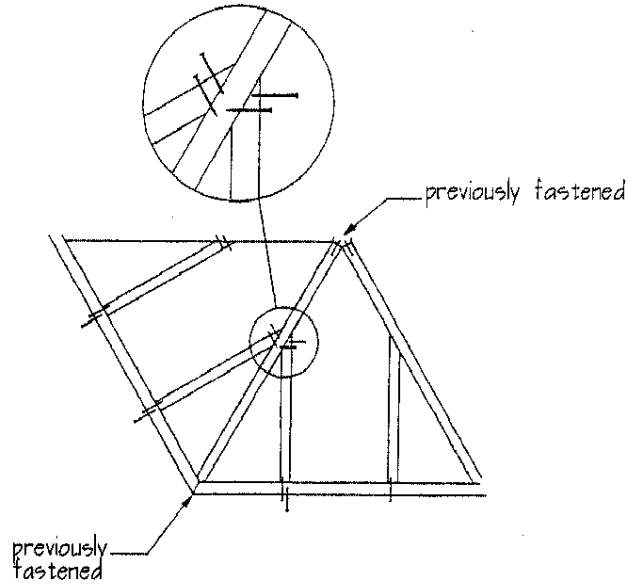


Figure B7

Your FLOOR JOIST ASSEMBLY is now complete. See Figure B8.

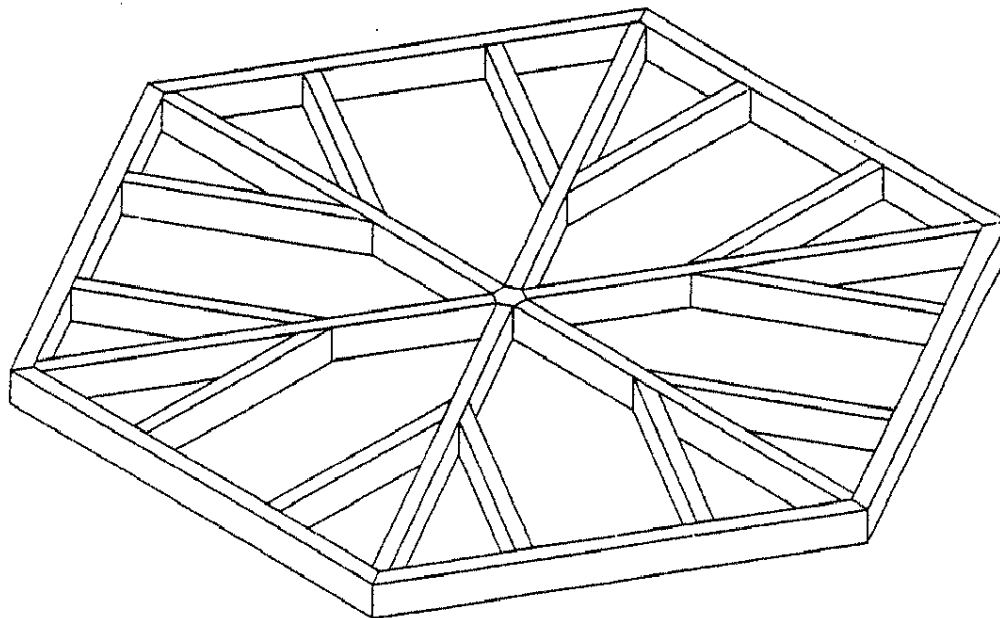
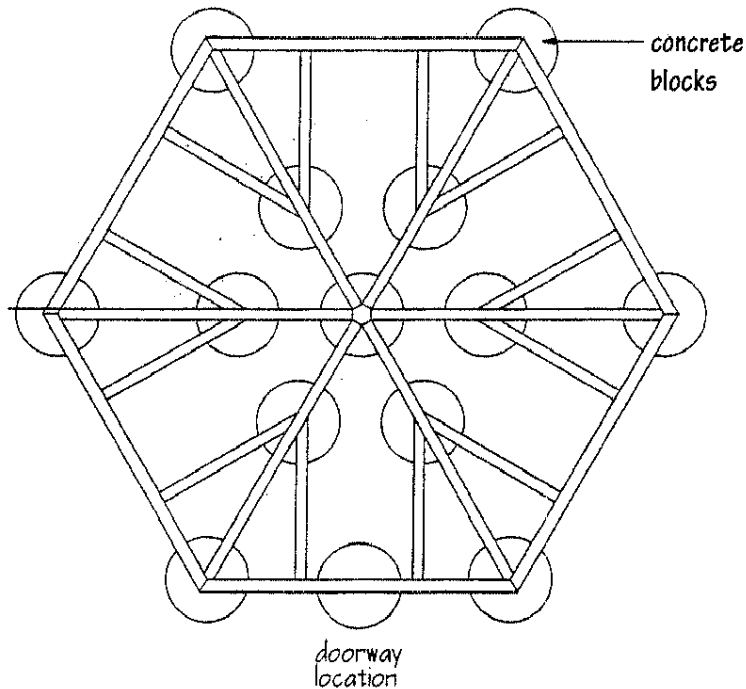


Figure B8

**PANELIZED HEXAGON GAZEBO****FLOOR LEVELING**

1. You are now ready to lay the Concrete Blocks. The 2" Concrete Blocks will be placed at the 14 load bearing points of the FLOOR. Load bearing points are those points where Rim, Short, and/or Long Joists intersect, plus one for the Doorway. See Figure B9.

**EXPERT ADVICE:**

You're building your Gazebo on a concrete slab and you're wondering if you need the Concrete Blocks. We recommend the Concrete Blocks be used as they allow air to ventilate the Floor Joists, keeping them dry and strong.

Figure B9

2. When all of the Concrete Blocks are in place you are ready to level the FLOOR Structure.

3. To ensure a level FLOOR, find the highest point and shim up & slip cut Shingles under the load bearing points until level. It is simplest to level and shim from the outside in. A Carpenter's Level is helpful at this time. You MUST have a level FLOOR before you can attach the WALL or ROOF. Shims were cut earlier when the tapered Shingles were produced (or you can cut the Shingles/Shims now).

## DECKING

1. The DECK Panels are numbered and should be placed on the FLOOR DECK clock-wise. See **Figure B10**.

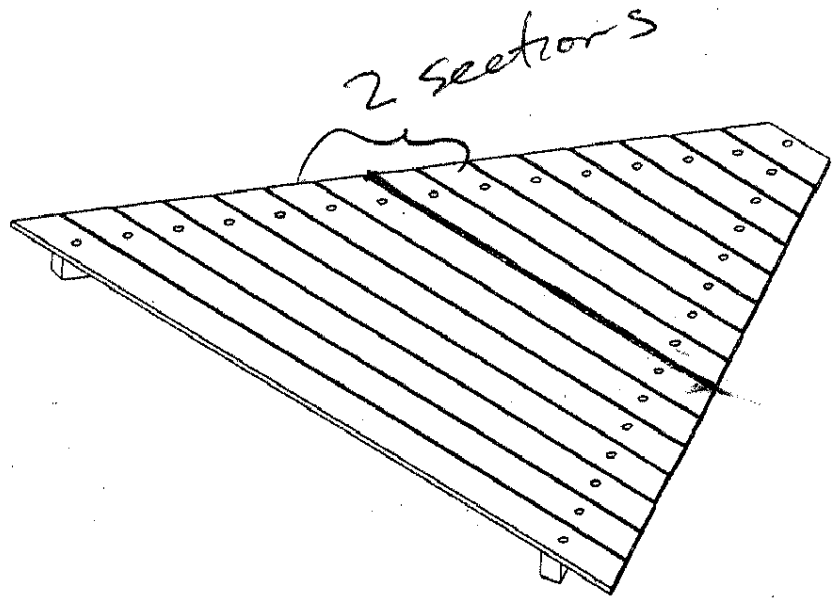
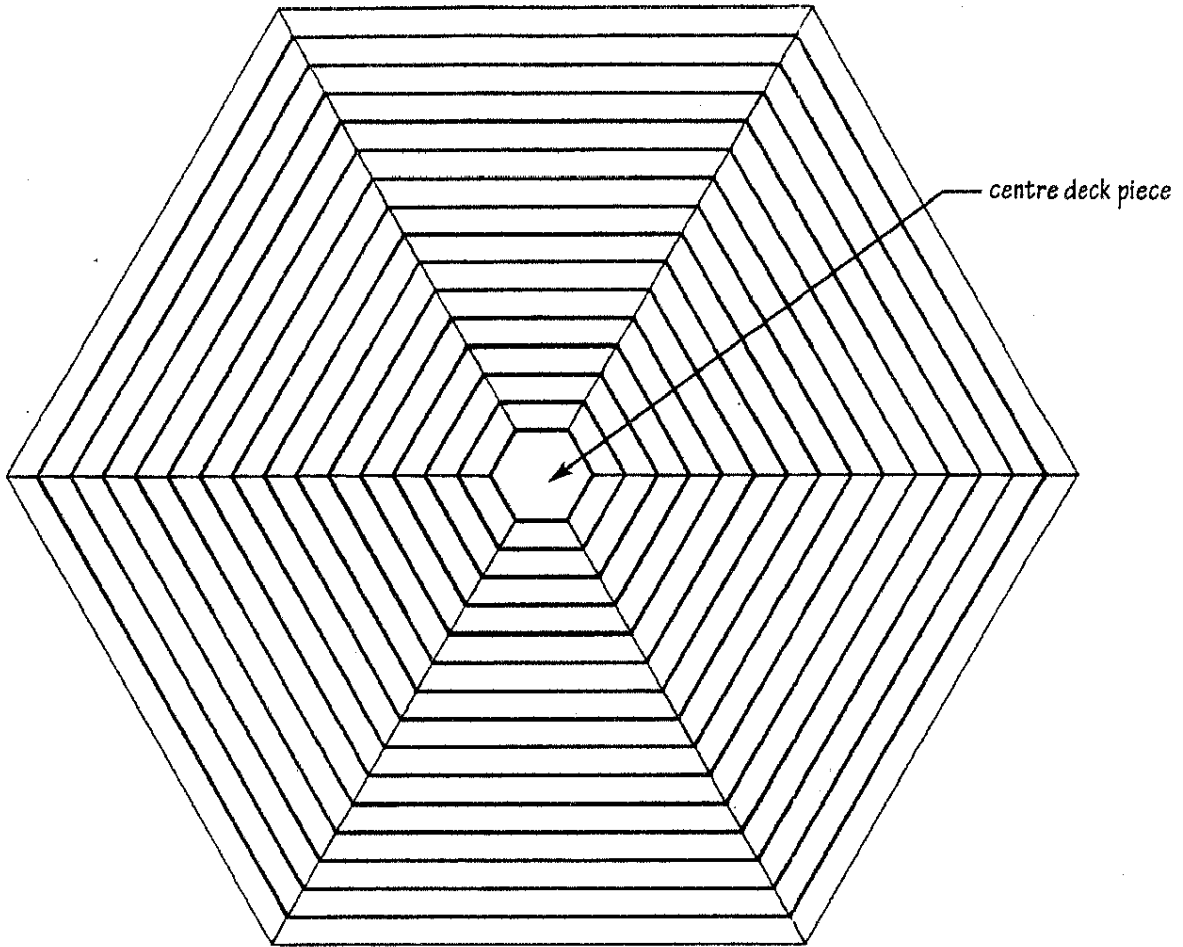


Figure B10

2. Secure the DECK to the Joists by placing one 3" screw at each end of each piece (going into the joists). Finish all remaining 5 DECK Panels in the same fashion.
3. Complete the Decking by securing the Centre DECK piece using three 3" screws.


**PANELIZED HEXAGON GAZEBO**

Your finished FLOOR DECKING should look like Figure B11.



**Figure B11**

# MOUNTING SIDEWALLS TO FLOOR ASSEMBLY

1. First the Wall sections must be attached together. The beveled edges of each Post will be attached to the beveled edge of the next corresponding Wall section. Use ten  screws per pair of Posts and be sure to alternate the screws between the two Posts at each joint. Also be sure to angle the screws into the Post so they do not pierce through to the other side of the posts. You may wish to pre-drill these holes before drilling to give you a better finish. See **Figure C3** for details.

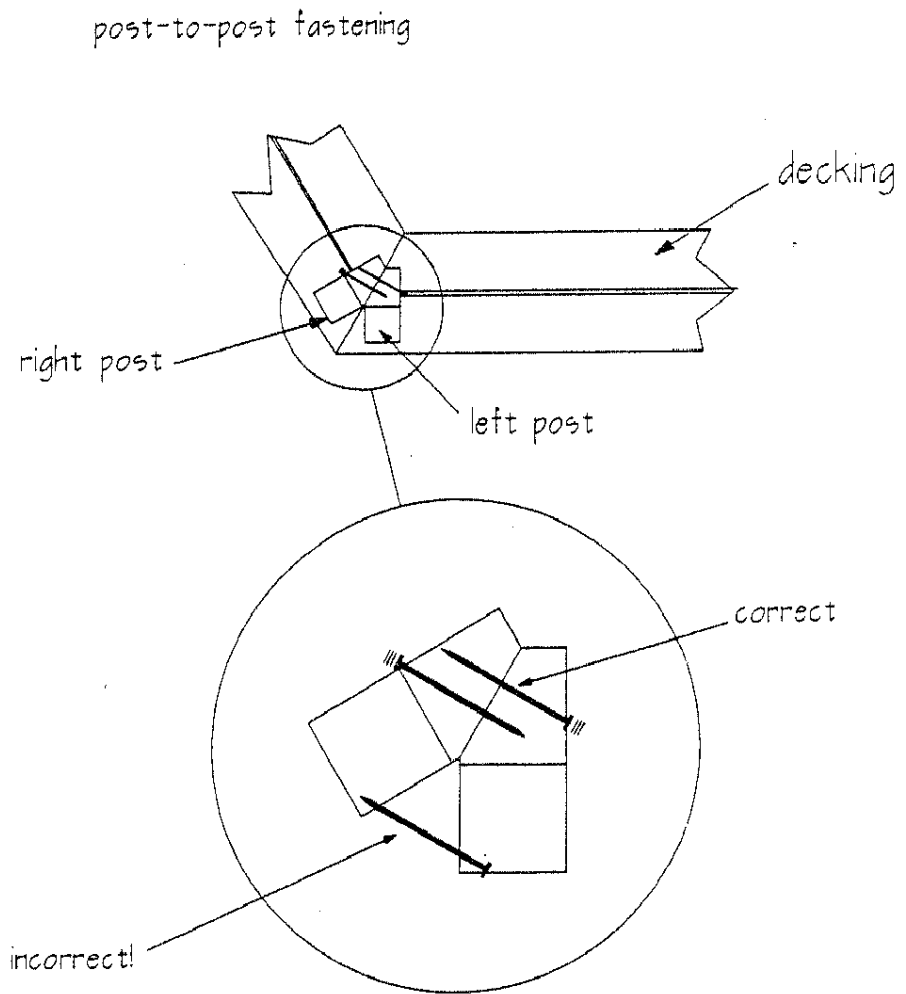


Figure C3

2. The Wall sections can now be mounted. See **Figure C4** for a nailing diagram. This will involve mounting each WINDOW and DOOR Wall onto the DECK and to each other. Each beveled Post will line up with the joints of the Decking Planks. As well, the outside edge of the Post will be flush with the outside edge of the first Decking Plank. See **Figure C5** for details.

toe nailing placement

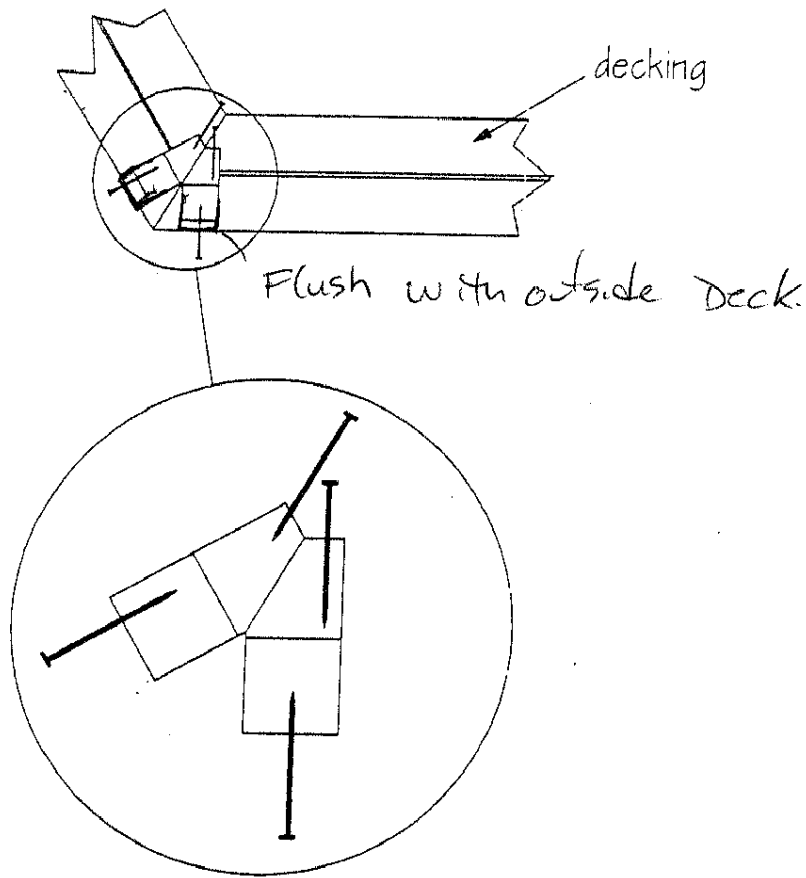
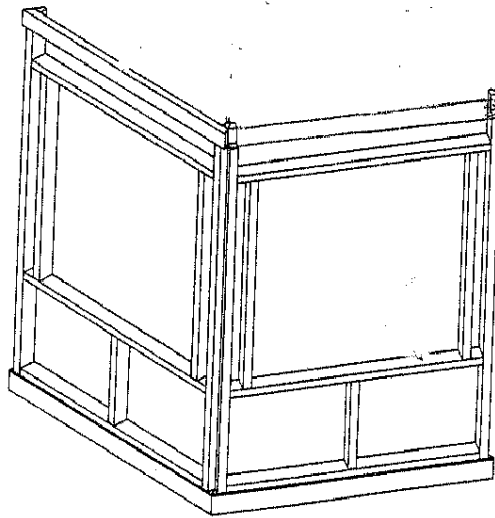


Figure C4

## WALL ASSEMBLY

+ There ARE 5 wall Panels (with windows) FOR THE Hexagon and 7 wall Panels for Octagon.  
- There IS ALSO 1 Door wall with the Door Prehung.

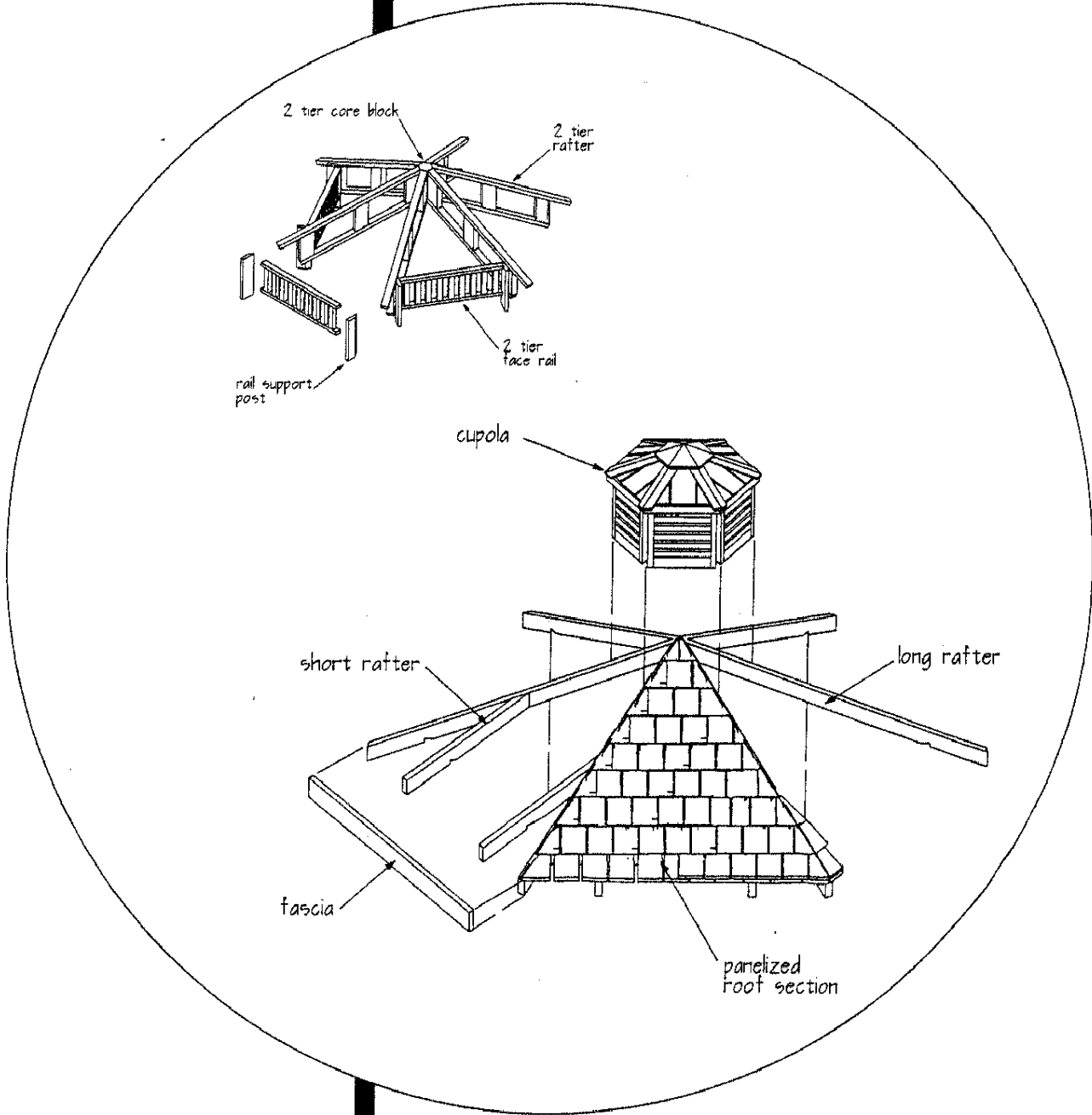


CEDARSHED Industries

\* Position walls around the Gazebos in their approximate position.

## D. ROOF ASSEMBLY

ROOF ASSEMBLY can be divided into two stages: RAFTER ASSEMBLY and ROOFING. When the ROOF is in position the gazebo will gain rigidity.



**PANELIZED HEXAGON GAZEBO**

## RAFTER ASSEMBLY

The RAFTERS use a similar but not identical design as the FLOOR Joists.

You'll definitely need help with the RAFTERS. You'll also need a 6' Step Ladder and a 8' Step Ladder.

1. While on the ground, fasten the ROOF Core Block to a Long Roof Rafter. The seat cut on the Long Roof Rafter will fit over the Header, so be sure that the seat cut is facing down. The opposite end of the Long Roof Rafter will be fastened to the Roof Core Block. Using a 3" screw, toenail the Long Roof Rafter to the Roof Core Block. It is helpful if you pre-drill holes using a 1/8" bit. Be sure the top of the Roof Core Block and the Long Roof Rafter are flush. See **Figure D1**.

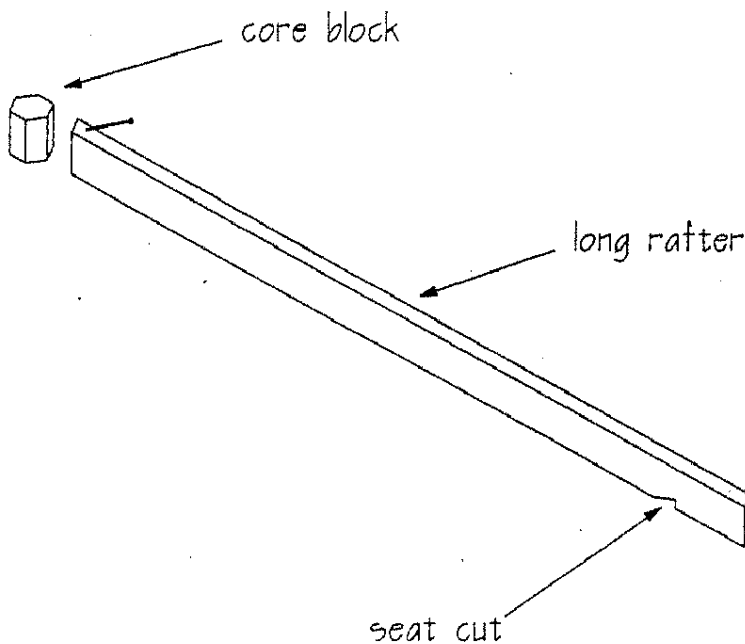


Figure D1

**EXPERT ADVICE:** Be sure not to fasten the Long ROOF Rafters to the headers completely as you may have to adjust the position of the Long Roof Rafter later.

2. Note that a helper is necessary at this point. Have your helper climb a 8' step ladder in the middle of the gazebo DECK. The helper will hold the Long ROOF Rafters and toenail a 3" screw into the Core Block. Place the seat cut of the Long Roof Rafter flush over the joint formed by two Headers. Once the seat cut is flush, you can tack the Long ROOF Rafter to the Headers using a 3" screw at an angle. See **Figures D2** and **D3**. Complete the remaining Long ROOF Rafters in the same fashion. See **Figure D4** for a detail of the toenail screwing.

placement of first two long rafters

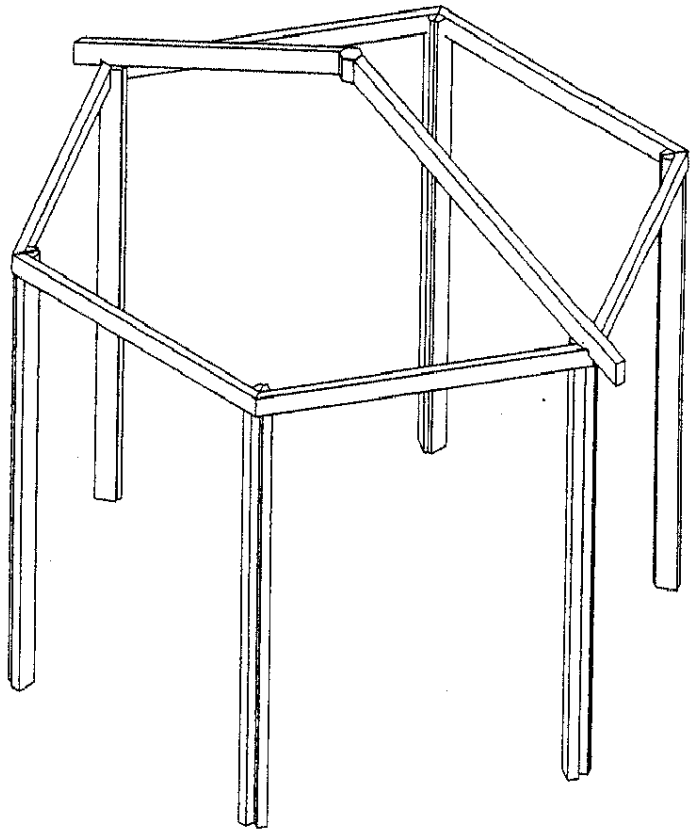
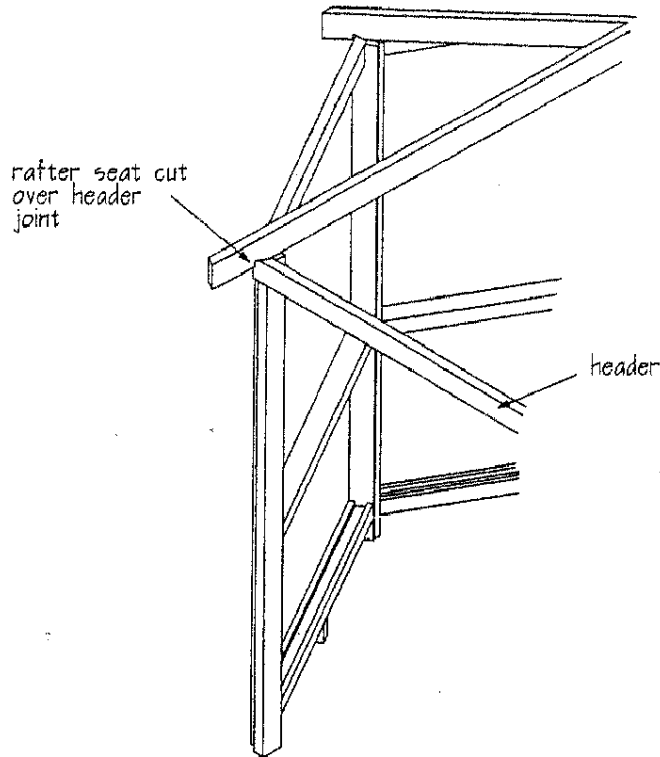


Figure D2

PANELIZED HEXAGON GAZEBO



EXPERT ADVICE: To avoid splitting the Long Roof Rafters at the seat cut, you may wish to pre-drill screw holes at a 45 degree angle.

\* Important.

Use soffits to Determine correct Positioning of Roof Rafters

Figure D3

2 - short soffits  
1 - middle or long

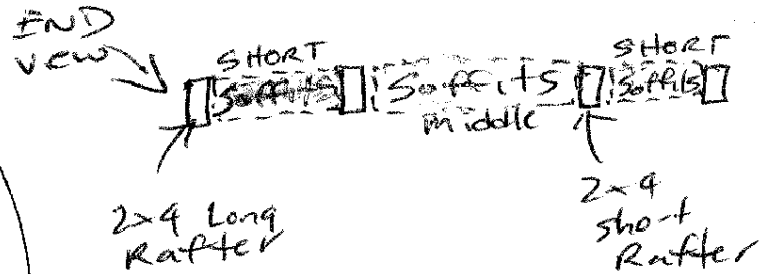
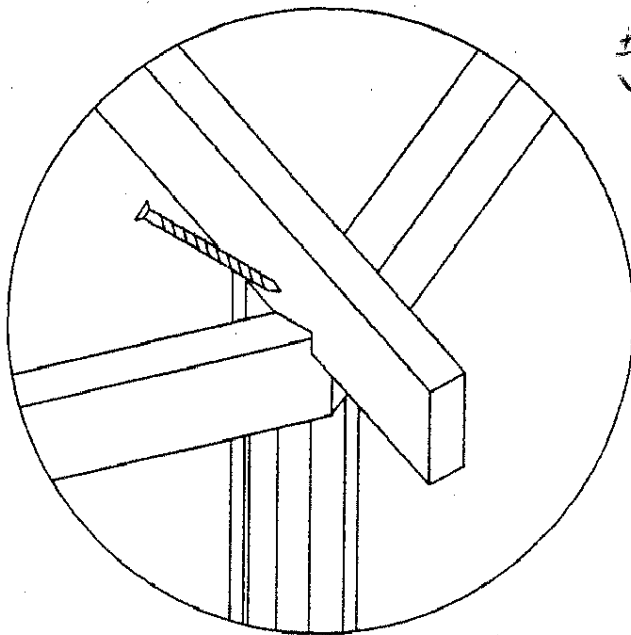
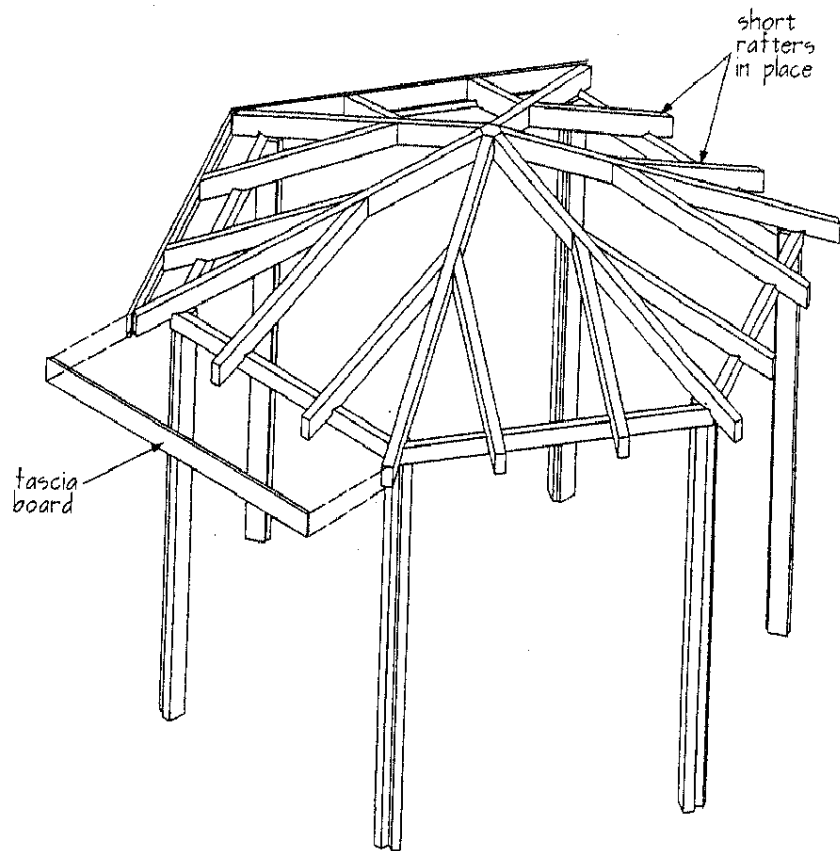


Figure D4

**EXPERT ADVICE:** Attach the Fascia before securing Roof Joists to the Header to ensure that the Roof lines up.

4. Attach Fascia now.

5. The 1" x 4" Fascia Boards run horizontally from one Long Rafter to the next. See **Figure D5**.



**Figure D5**

6. Have your helper hold one end of the Fascia Board. Then, using two 2" finishing nails, attach the other end of the Fascia Board to a Long ROOF Rafter. Be sure that the end of the Fascia Board is flush with the "V" of the Long Roof Rafter. Adjust, if necessary, the position of the Long Roof Rafter so that the end of the Fascia Board is flush with the "V" of the Long Roof Rafter. Moving around the gazebo, complete all Fascia boards in the same fashion.

7. Install the Short ROOF Rafters using a similar procedure as for the Long Roof Rafters. Using two 3" screws, toenail the Short Roof Rafter to the adjoining Long Roof Rafters. Using two 3" screws fasten the Short Roof Rafter to the Header. See **Figure D6**. Continue until all Short Roof Rafters are fastened in place.

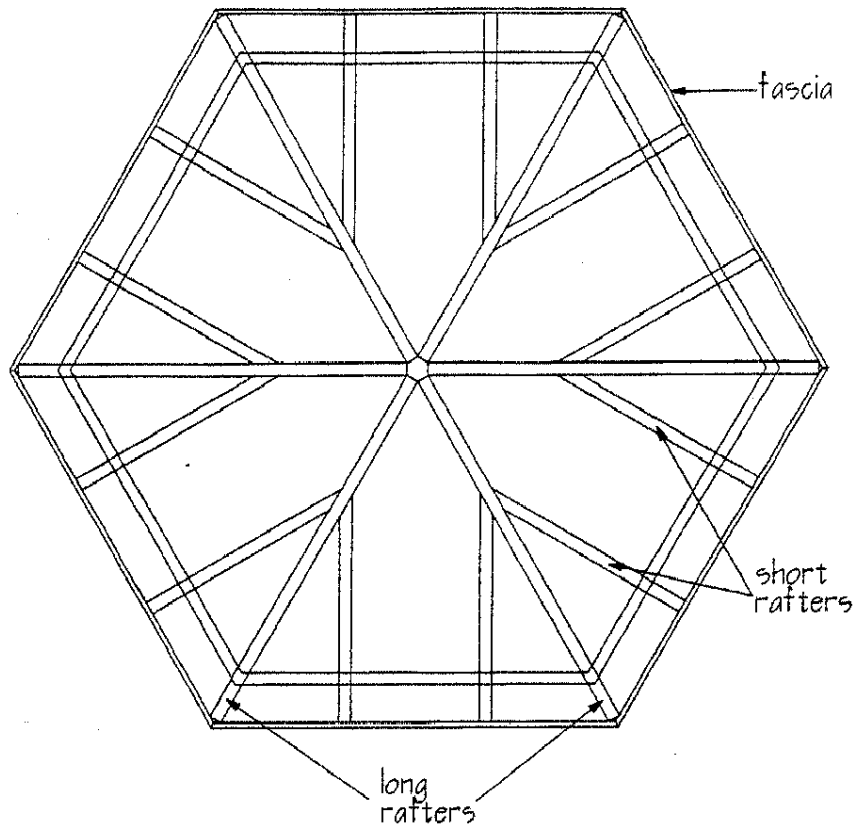
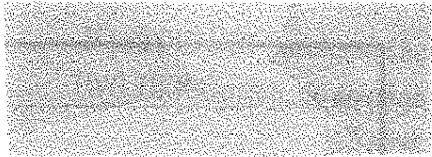
**PANELIZED HEXAGON GAZEBO**

Figure D6

8. Using two 2" finishing nails, attach the Fascia Board to the end of the Short Rafter.
  
9. Moving around the gazebo, continue until all Fascia Boards are in place and all Long ROOF Rafters have been permanently fastened to the Headers.



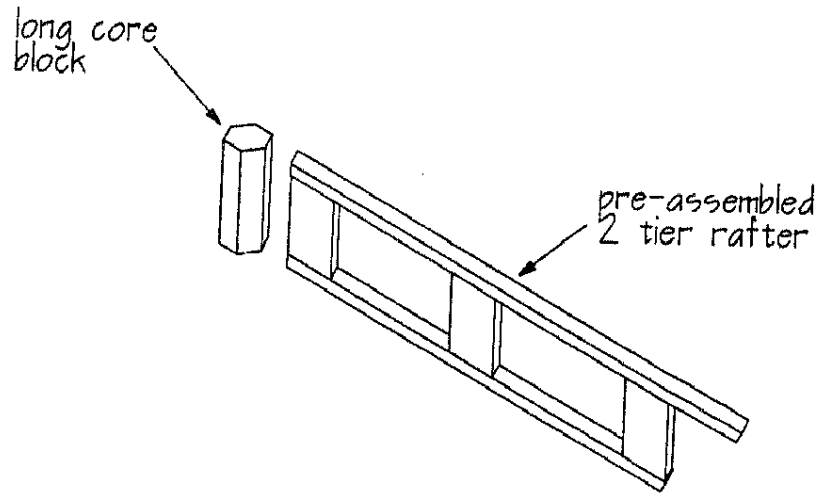
## TWO TIER OPTION ASSEMBLY OPTION



Option.

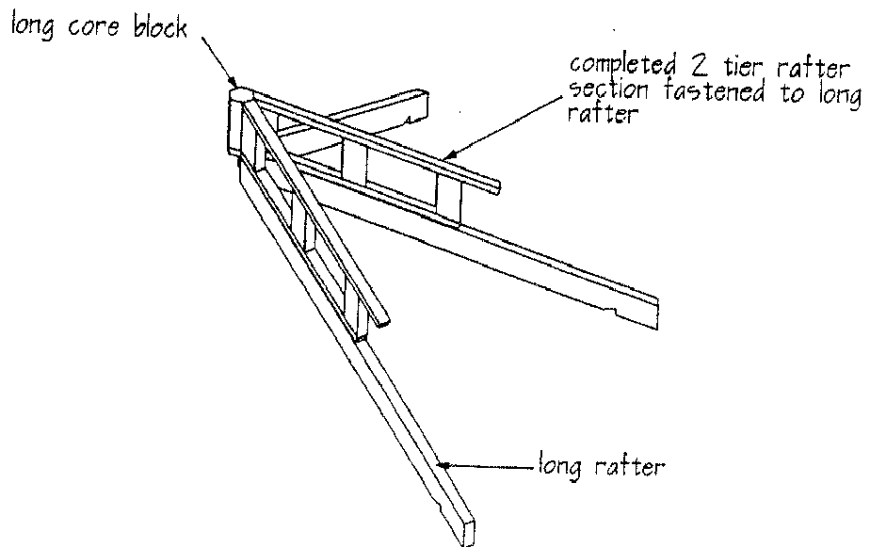
1. The TWO TIER Rafter section will be assembled at this point. Toenail the Long Core Block to one of the TWO TIER Rafter sections making sure that the Core Block is flush with the top of the Top Rafter. See **Figure D7**.

Figure D7



2. Using your stepladder attach the TWO TIER Rafter section onto the Long Rafter by screwing right through the Bottom Rafter onto the Long Rafter. Use three 3" screws for this step. Take the remaining 5 TWO TIER Rafter sections and systematically attach each to a Long ROOF Rafter and the Long Core Block. The Long Core Block will sit directly over the top of the Short Core Block. See **Figure D8**.

Figure D8



**PANELIZED HEXAGON GAZEBO**

## TWO TIER Option continued

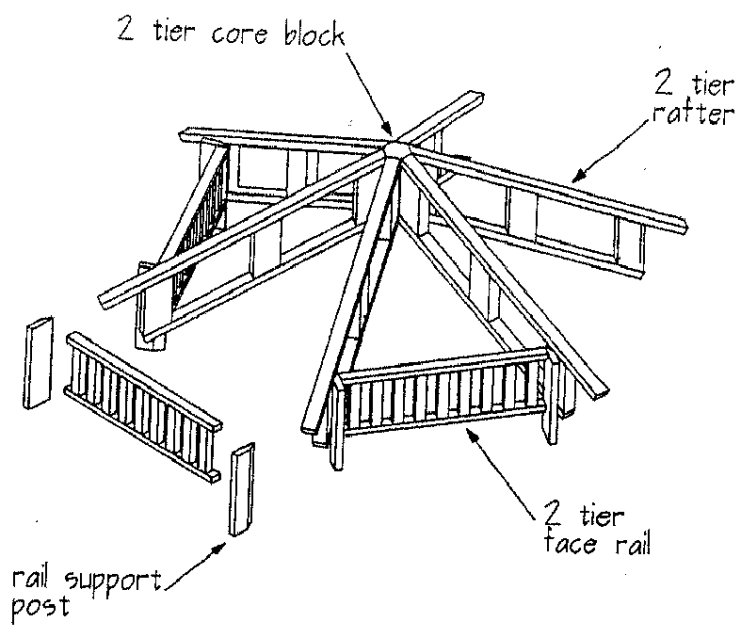
### Face Rail Assembly

1. The Face Rails come pre-assembled for your convenience. You must attach a left and a right Rail Support to each end of the Face Rail. The Rail Supports are angle cut and beveled. Like the posts in the Sidewall Assembly earlier, the flat face will be attached to the Face Rail (the beveled face will be attached to the TWO TIER Rafter Sections) and the Long ROOF Rafter. The angle cut of the Rail Support will be flush with the top of the Face Rail. See **Figure D9** for details. Use two 2" screws to attach each Rail Support to the Face Rail.

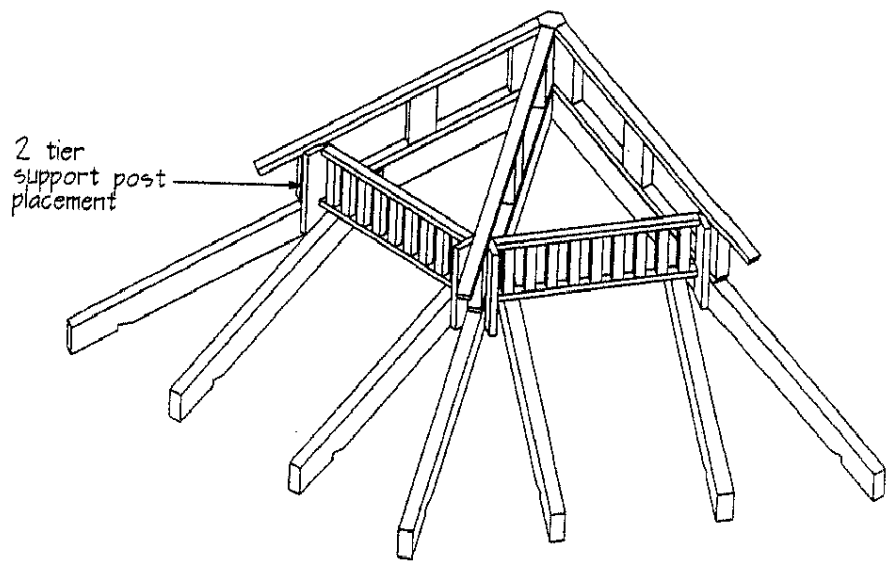
### Mounting the Face Rails

1. Insert the Face Rails from above so that each Face Rail is flush with the front of the TWO TIER Rafter Supports. Using two 2" screws attach each Rail Support Post to the TWO TIER Rafter Supports. See **Figure D10** for details. Also, insert a screw through the Long Support Post into the Long ROOF Rafter.

**PANELIZED HEXAGON GAZEBO**



**Figure D9**



**Figure D10**

**PANELIZED HEXAGON GAZEBO**

Figure D11 shows the completed TWO TIER section.

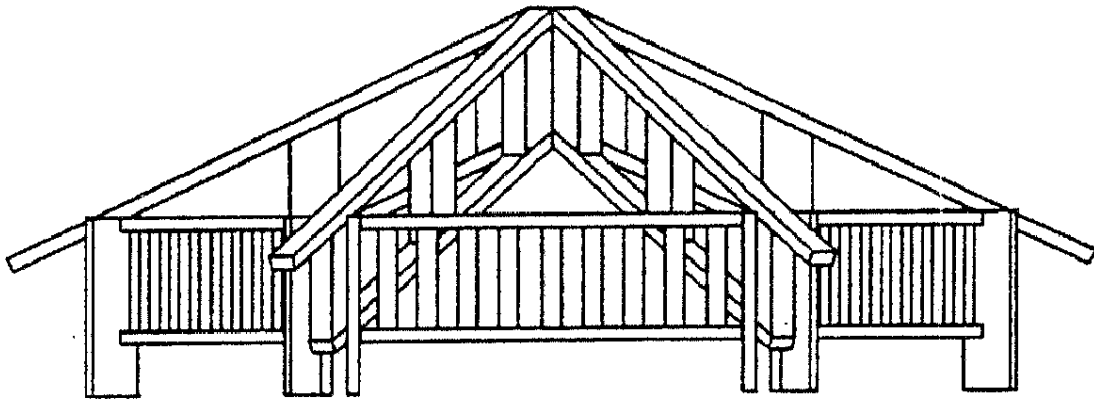


Figure D11

# ROOFING

The pre-assembled ROOF panels have been completed for your convenience. Place them clock-wise on top of the ROOF Rafter Assembly. See **Figure D12**. If you have a TWO TIER ROOF you will be required to place 12 panels down. Start with the lower sections first. See **Figure D13**.

\* OCTAGON Gazebo may have 16 Roof Sections.

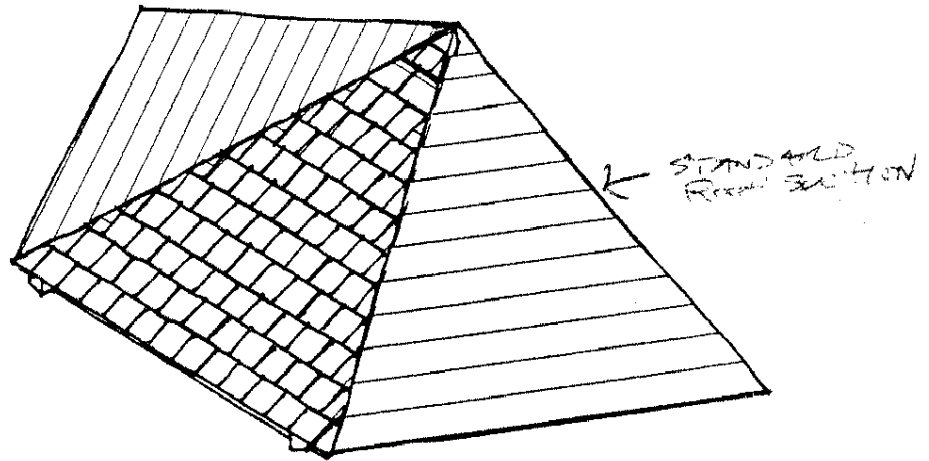


Figure D12

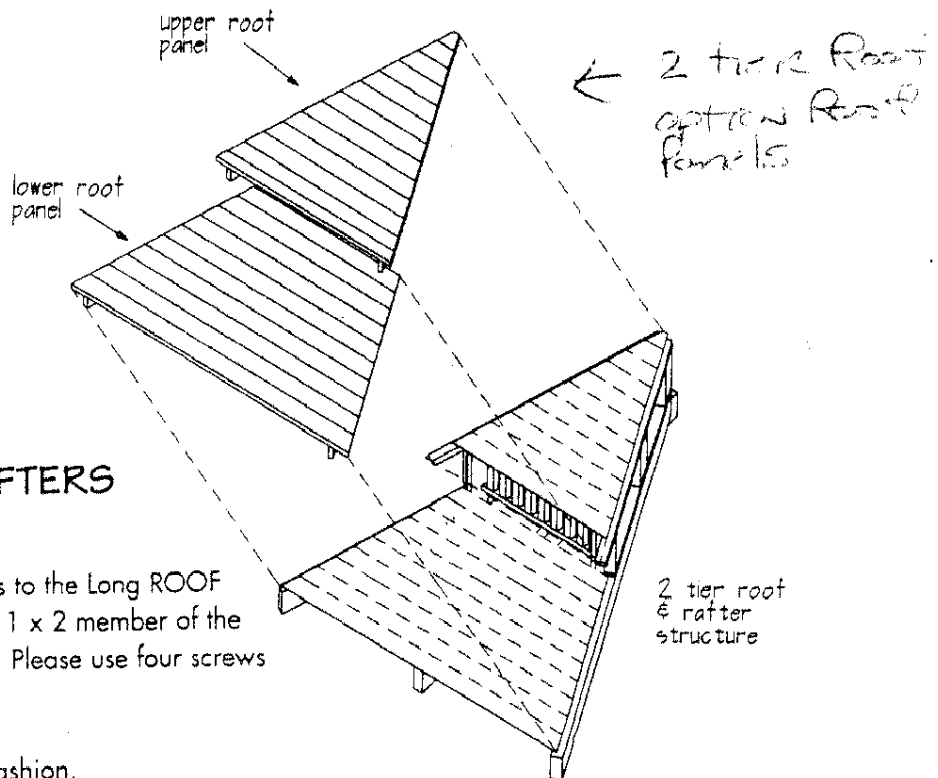


Figure D13

## SECURING THE ROOF TO THE RAFTERS

1. From inside the gazebo, screw the ROOF Panels to the Long ROOF Rafter, using 3" screws. The screw will go from the 1 x 2 member of the ROOF panel into the Long Roof Rafter at an angle. Please use four screws per panel.

2. Complete all remaining sections in a similar fashion.

## BENCHES

1. The Panelized gazebo comes with 5 Benches. Each Bench has two legs. Attach both sets of legs to the Bench seat using 3" screws. See **Figure D14**.
2. The back of each bench has a notch which will fit against the gazebo Post. Position each bench and screw in two places: fasten the legs into the DECK, and fasten the Balusters into the Bench seat. See **Figure D15** and **D16**.

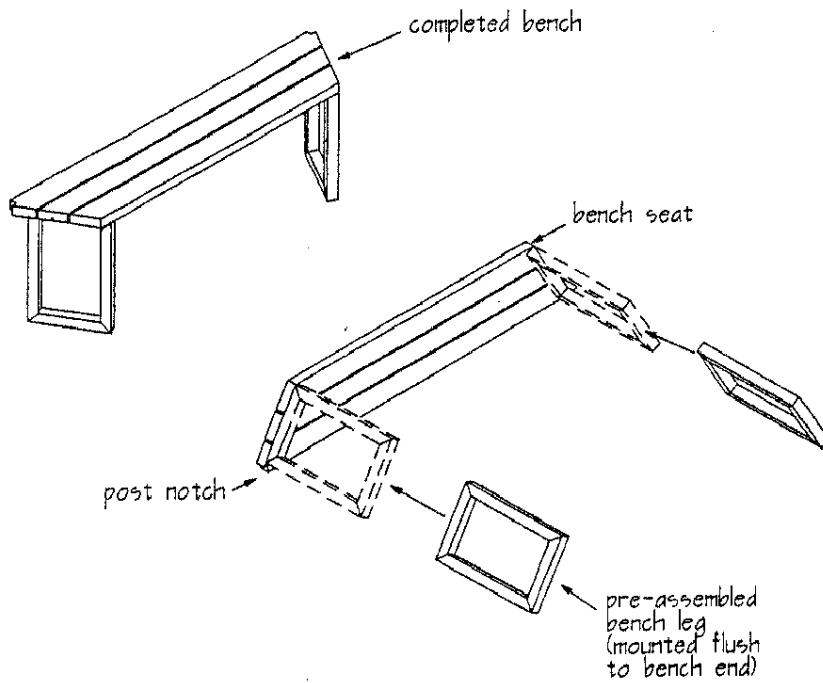


Figure D14

(27)

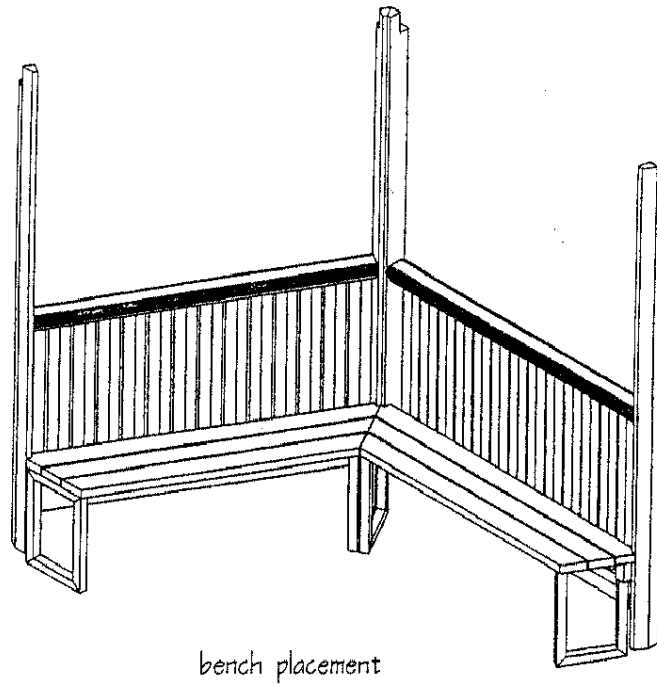


Figure D15

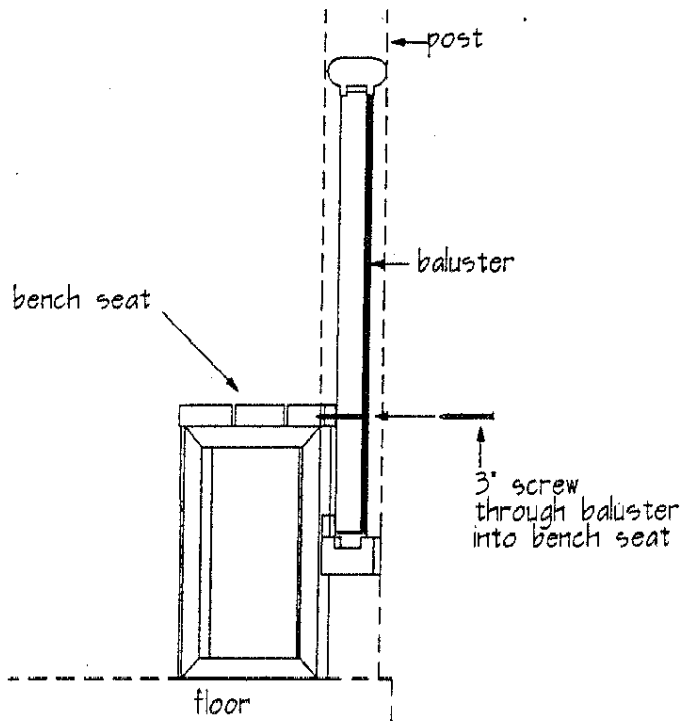


Figure D16

## RIDGE CAPS

1. The Ridge Caps are placed over the Long ROOF Rafters and cover the seam between the Shingles of the different ROOF triangles. See **Figure D17**. Note that the Ridge Caps are installed from the bottom up. Place the first Ridge Cap with the bottom edge 1/2" beyond the outside edge of the Shingles. Using 2" Roof nails, fasten the Ridge Cap to the Shingles.
2. The second row of Ridge Caps is placed so that the bottom edge overhangs the bottom edge of the first course by 1/4". Place nails 8 1/2" from the bottom edge of the Ridge Cap.
3. Install the third and subsequent courses 7 1/2" higher than the preceding course. Use the bottom edges of the Shingles as your guide. Remember to place nails 8 1/2" from the bottom edge of the Ridge Cap.
4. Proceed until you are approximately 1 foot from the ROOF peak. The CUPOLA will be fitted at this point.

### EXPERT ADVICE:

For best appearance  
alternate the Ridge Caps as  
below.

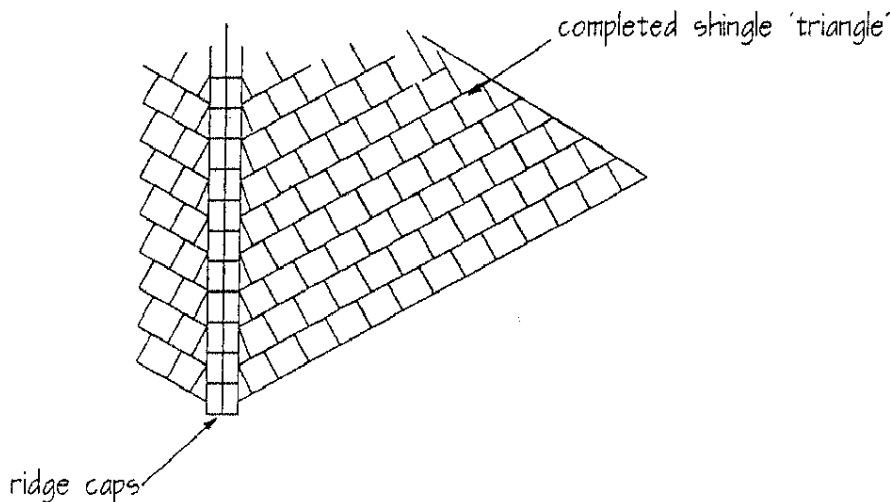
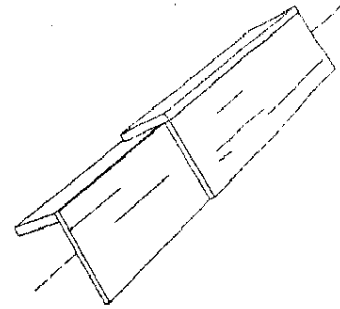


Figure D17

**Expert Advice:** If you chose the TWO TIER ROOF Option, it will also be necessary to cut the Ridge Caps as you approach the Face Rail Plate that extends from the first tier to the second tier.

## CUPOLA

1. The Cupola has been partially pre-assembled. You can assemble it on the ground, and then place it in position on the ROOF when completed.
2. Fasten the beveled sidewall pieces together. Place the ROOF on and secure it using two 3" screws per side.
3. When all six sides are completed place the large Cap on the top of the gazebo. Be certain to level the Cap. secure the Cap using three 3" screws. Screw from the top down into the Sidewall pieces.
4. Secure the small Cap to the large cap using three 3" screws.
5. To mount the CUPOLA on the ROOF peak, remember to line up the Cupola posts with the ROOF Seams. The bottoms of the Cupola WALLS have been beveled to seat properly on the ROOF. See **Figure D18**.

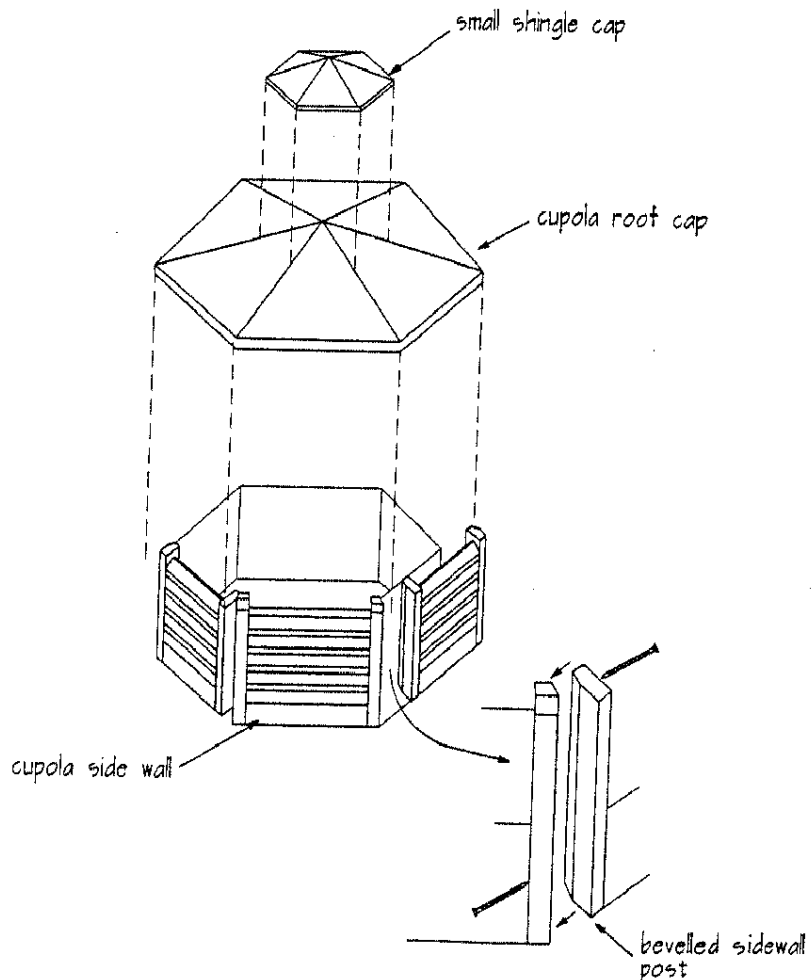
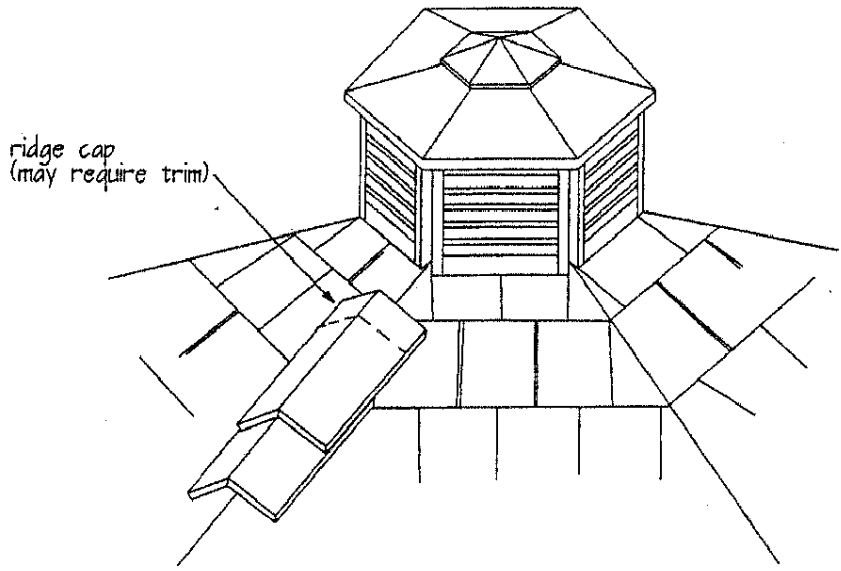


Figure D18

**PANELIZED HEXAGON GAZEBO**

6. Continue with the Ridge Caps to complete the ROOF. Trim the last one or two to fit snug up against the Cupola. Use an exacto knife to trim the last Ridge Cap. See **Figure D19**.



**Figure D19**

(31)

# INSTALLATION OF SOFFIT MATERIAL

1. The 1 x 6 Soffit material comes in 18 pieces. There are 12 short pieces and 6 long pieces. The short pieces are used to fill in the gap between the CEILING and the Header from the Long Rafters to the Short Rafters. While the long piece is used to fill in the gap between each Short Rafter. These will fit right above the T&G Sidewall pieces and should be affixed with six 2" finishing nails. You will notice a small exposed hole under each Short Rafter. These small holes will be hidden by the 1 x 2" Soffit Trim which will be affixed later in Step 3. See **Figure E1** for details.

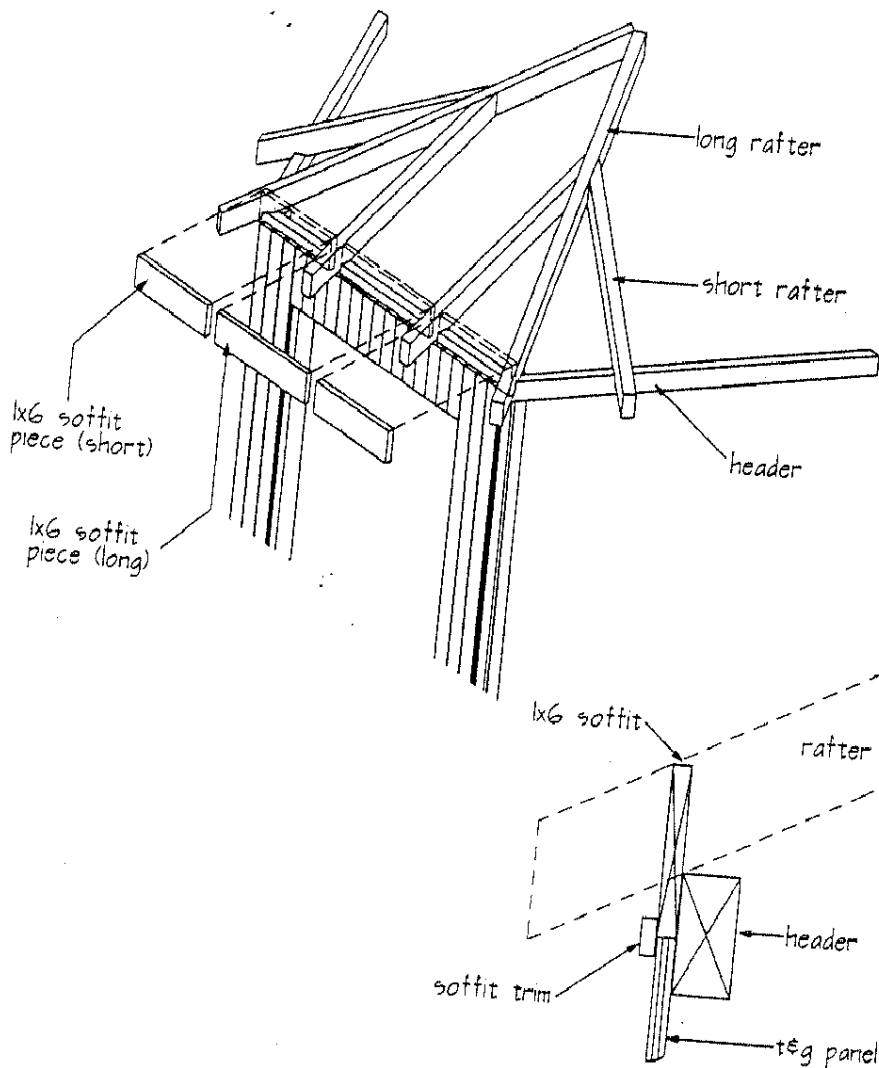


Figure E1

2. The Corner Trim can now be attached. The Corner Trim boards are the edge angled 1 x 4" pieces. Each piece is about 7 feet long and when the two pieces are joined together by the bevelled edges it will form the same angle as formed by the two attached Sidewalls. Push the Corner Trim up against the bottom side of the Long Rafters and attach over posts using eight 2" finishing nails per Trim Board. See **Figure E2** for details. If you wish to wire electricity into the All Season model, the wire can be run inside this gap between the Posts and will be hidden by the Corner Trim Boards.

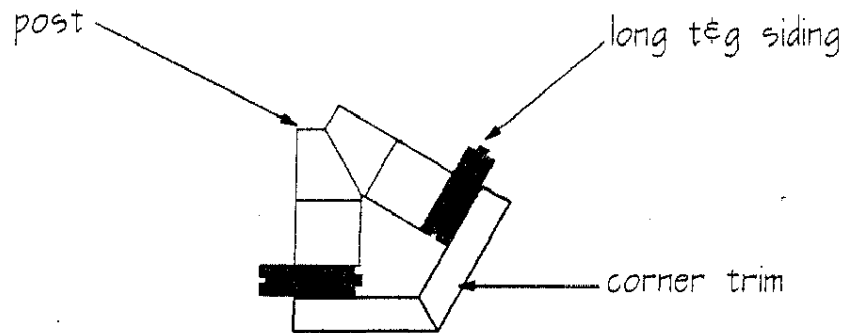


Figure E2

3. Mount the 1 x 2" Soffit Trim next. It will be attached under the Rafters and over the top of the seam formed by the T&G over the WINDOW DOOR pieces and the 1 x 6" Soffit material by using five 2" finishing nails per Rim Board. See **Figure E1** for details.

## Door Hardware Installation

- Insert Door locking mechanism into Door Frame. - Screw tight
- ATTACH Both Interior and Exterior Door handles including the connecting shaft. using screws supplied.

### Congratulations!

You have successfully completed the construction of your gazebo. Thank you for choosing a gazebo by CEDARSHED. We hope that this was a rewarding experience for you and that you and your family will have years of enjoyment.

By the way, CEDARSHED would love to see what your finished gazebo looks like in its natural setting. Please send us a picture or e-mail us an image.

As we mentioned earlier, we would like you to take some time and complete the following questionnaire. When you send us the completed form we will in turn send you an engraved plaque which you can mount on your gazebo.

WHO WE ARE   GAZEBOS   GARDEN SHEDS   GARDEN FURNISHINGS   TESTIMONIALS   LINKS   HOW TO PURCHASE   DEALER'S CORNER   CONSUMER'S CORNER   SPECIALS

## Consumer's Corner

Contact Home

Return to main menu

### Specifications for Garden Sheds and Gazebos

| GARDEN SHEDS           |                  |                  |          |   |  |                  |                 |              |                     |
|------------------------|------------------|------------------|----------|---|--|------------------|-----------------|--------------|---------------------|
| Item                   | Inside Height    | Floor Dimensions |          | Outside Dimensions (includes roof overhang) |  |                  |                 |              |                     |
|                        |                  | Width            | Length   | Width                                       | Length                                     | Height           | Door Opening    | Weight       | Installation Times* |
| 8x3 Yardsaver          | 72"(B)<br>65"(F) | 90"              | 36"      | 93"   | 43"  | 80"(B)<br>73"(F) | 43"x66"         | 520 lbs      | 2 Hrs               |
| 6x6 Gardener           | 89<br>1/2"       | 69"              | 74 1/8"  | 82"   | 85 1/2"                                    | 100"             | 30"x71"         | 625 lbs      | 2 Hrs               |
| 6x9 Gardener's Delight | 87"              | 72"              | 110"     | 82"   | 118"                                       | 95"              | 35"x69"         | 825 lbs      | 4 Hrs               |
| 9x6 Cabana             | 89<br>1/2"       | 108<br>9/16"     | 69"      | 120"  | 82"  | 100"             | 30"x71"         | 1050 lbs     | 4 Hrs               |
| 8x10 Rancher           | 94"              | 93"              | 120 5/8" | 105<br>1/4"                                 | 132"                                       | 105"             | 50 1/2"x72 5/8" | 1200 lbs     | 5 Hrs               |
| 12x8 Haida             | 94"              | 144<br>5/8"      | 93"      | 148"  | 105 1/4"                                   | 105"             | 38 1/2"x71"     | 1500 lbs     | 5 Hrs               |
| 8x8 Sunhouse           | 92"              | 93"              | 93"      | 95<br>1/2"                                  | 96"  | 102"             | 43 1/2"x69"     | 1000 lbs     | 5 Hrs               |
| 8x12 Sunhouse          | 92"              | 93"              | 139 1/2" | 95<br>1/2"                                  | 142 1/2"                                   | 102"             | 43 1/2"x69"     | 1400 lbs     | 6 Hrs               |
| 12x12 Sunhouse         | 92"              | 136<br>5/16"     | 139 1/2" | 139 "                                       | 142 1/2"                                   | 102"             | 43 1/2"x69"     | 1800 lbs     | 8 Hrs               |
| GAZEBOS                |                  |                  |          |   |  |                  |                 |              |                     |
| Item                   | Inside Height    | Floor Dimensions |          |   | Outside Dimension (includes roof overhang) |                  |                 |              |                     |
|                        |                  | Diameter         | Sidewall | Rim Joist**                                 | Diameter                                   | Sidewall         | Height          | Door Opening | Weight              |
| 12' Octagon All Season | 118"             | 156 1/2"         | 145"     | 59 5/8"                                     | 180"                                       | 162"             | 128"            | 43"x73"      | 2500 lbs            |
| 10' Hexagon All Season | 114"             | 136 1/4"         | 118"     | 68"   | 154"                                       | 133"             | 124"            | 43"x73"      | 2200 lbs            |
| 10'x13' Teahouse       | 118"             | 156"             | 111"     | 55<br>7/16"                                 | 167"                                       | 127"             | 128"            | 34"x73"      | 2200 lbs            |
| 14' Octagon            | 125"             | 181"             | 168"     | 68<br>15/16"                                | 205"                                       | 187"             | 135"            | 64"x73"      | 2400 lbs            |
| 12' Octagon            | 118"             | 156 1/2"         | 145"     | 59 5/8"                                     | 178"                                       | 163"             | 128"            | 55"x73"      | 2000 lbs            |
| 10 Hexagon             | 114"             | 136 1/4"         | 118"     | 68"   | 154"                                       | 133"             | 124"            | 62 1/2"      | 1700 lbs            |
| 8' Hexagon             | 108"             | 111 1/4"         | 96"      | 55<br>7/16"                                 | 136"                                       | 116"             | 118"            | 50"x73"      | 1500 lbs            |
| 6' Hexagon Gabriola    | 92"              | 85 1/4"          | 75"      | 39 3/8"                                     | 100"                                       | 91"              | 102"            | 37"x73"      | 850 lbs             |
| 10'x10' Square Gazebo  | 114"             | 127 1/8"         | 127 1/8" | N/A   | 147"                                       | 147"             | 124"            | 34"x73"      | 1700 lbs            |

\* Precut Gazebos take 2 people 2 to 4 days to complete, panelized gazebos take 2 people 1 day to complete.